

About Us

We are the first to research into and launch Table Talkers / Table Top Advertisements as an Alternative Communications Medium. We bagged the **“Best in Region”** title, up against competitive Asia Pacific Region contestants, at the **PIXI (Printing Innovation with Xerox Imaging) Awards**.

The spot is on Top Advertising Pte Ltd, established 2002, with the vision to be the **leading Design and Print Innovator in Asia**.

We are an assembly of Creative Professionals in the Design and Print industry, commissioned to provide top-of-the-range products, advanced and innovative services. We have made a quantum leap since incorporation, from a finishing service unto a **Modern Design and Print Solution Provider**. We serve the complete suite, from Conceptualization to Design, Printing / Production and Delivery of any Communications Medium, Traditional or Up-To-Date.

We do all you name. Posters, Banners, Business Cards, Letterheads, Assorted Corporate Premiums, Table Talkers, Shelf Talkers, Packaging Boxes, Lanyards, Name Tags, Badges, Print Media such as Newsletters, Magazines, Books, Brochures, Flyers and Postcards.

We have also spun off Advanced Media Services, of which include Web Media / Social Media and E-Commerce Conceptualization, Design and Implementation.

We engage Creative Communication Specialists in our lineup, to evaluate and advise on the appropriate media mix for execution of Integrated Marketing Communications Roadmaps. Top Advertising is not all business. **CSR (Corporate Social Responsibility)** runs in our blood, even before CSR became a hit phrase. It is always our priority to serve.

We are part of the **UN (United Nations) Global Compact**, launched in 2002 to advance universal principles in the areas of Human Rights, Labor, Environment and Anti-Corruption. We from ground-up commits to local initiatives which directly benefit the less-privileged, creatively too, apart from providing financial resources.

We are proud to announce our arrival, in both form and function.

CONTENT

Customised Promotional Items	page 5-12
EasyRoll Display System	page 13 & 14
X-Frame Display System	page 15 & 16
Other Display System	page 17
Easel Display Stand	page 18
Economy & Mini Pop Up Display System	page 19 & 20
Promotion Counters	page 21
Walking Advertisements	page 22
Literature Holders	page 23 & 24
Snap Frame	page 25
Perspex Poster Holder	page 26
LED Crystal Lightbox	page 27
Contributions	page 28
Our Clientele	page 29

Our **PRODUCT** and **SERVICES**

The possibilities are endless, common executions include Posters, Banners, Business Cards, Letterheads, Assorted Corporate Premiums, Table Talkers, Shelf Talkers, Packaging Boxes, Lanyards, Name Tags, Badges, Print Media such as Newsletters, Magazines, Books, Brochures, Flyers and Postcards.



Top Advertising
Facebook Page

customised PROMOTIONAL items



GAME SETS

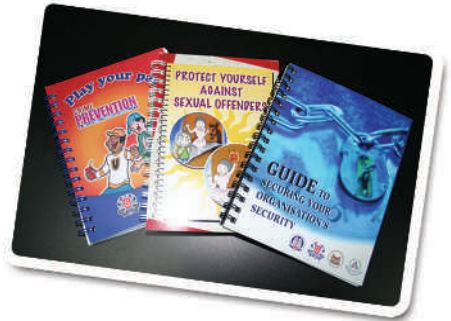
Giant Snake & Ladder
Board Game
Magnetic Pair Game
Life Size Foam Jigsaw Puzzle
Acrylic Puzzle

\$400 per set
\$75 - \$85 per set
\$600 per set
\$650 per set
\$60 per set

w/GST
\$428 per set
\$80.25 - 90.95 per set
\$642 per set
\$695.50 per set
\$64.20 per set

*Price vary on size

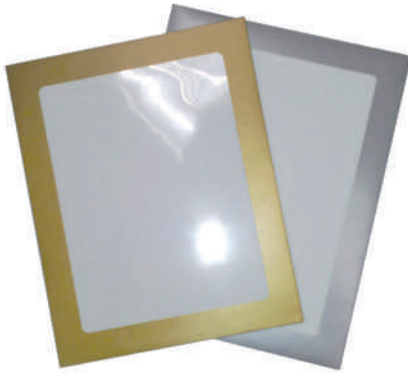
customised PROMOTIONAL items



PUBLICITY COLLATERALS

Wobblers	\$800 per 1000 pcs	w/GST \$856
Folder - Embossed logo - Spot UV, Matt Lamination - Die Cut to shape	\$1500 - 4800 per 1000 pcs	\$1605 - 5136 per 1000 pcs
Notebook	\$250 - 350 per 100 pcs	\$267.50 - 374.50 per 100pcs
Bookmarks - With Lamination - 1 side full colour print	\$450 - 650 per 1000pcs	\$481.50 - 695.50 per1000pcs

customised PROMOTIONAL items



Certificate Holder A



Certificate Holder B

CERTIFICATES

Certificates (Customised name printed)

\$250 - 300 per 100 pcs

w/GST

\$267.50 - 321 per 100 pcs

Certificate Holder A (Silver/Gold/Blue)

\$4.00 each (min 10 pcs)

\$4.28 each (min 10 pcs)

Certificate Holder B (Maroon/Black)

\$10.00 each (min 10 pcs)

\$10.70 each (min 10 pcs)

customised PROMOTIONAL items



DISPLAY

Posters (mount on 5mm foam board)

- A3 (297 mm x 420 mm)
- A2 (420 mm x 594 mm)
- A1 (594 mm x 841 mm)
- A0 (841 mm x 1189 mm)

		w/GST
\$19.80		\$21.19
\$39.60		\$42.37
\$77.00		\$82.39
\$150.80		\$161.36

Acrylic Display*

- A3
- Life Size

\$80 each	\$85.60 each
\$450 each	\$481.50 each

with site installation*

customised PROMOTIONAL items



PUBLICITY MEDIUM

Table Talkers (use per 100 pcs)

- 11" diameter	\$9.50	w/GST \$10.16
- 15" diameter	\$15.00	\$16.05
- A5	\$2.80	\$3.00
- A6	\$1.50	\$1.61

Lamp Post Banner

\$120 per set

\$128.40 per set

customised PROMOTIONAL items



NAME CARDS

Name Cards

1 side colour print (4C x 0C)*

Art / White	\$12.00
Fancy	\$15.00
Pearl	\$17.00

w/GST

\$12.84
\$16.05
\$18.19

1 side colour print, 1 side B&W (4C x 1C)*

Art / White	\$15.00
Fancy	\$18.00
Pearl	\$20.00

\$16.05
\$19.26
\$21.40

2 sides colour print (4C x 4C)*

Art / White	\$18.00
Fancy	\$21.00
Pearl	\$23.00

\$19.26
\$22.47
\$24.61

*Minimum 2 boxes per name

customised PROMOTIONAL items



F06 - 2563



F06 - 26



F06 - 3263



F06 - 40

LETTER HEAD, RECEIPT / INVOICE, STAMPS

*Letterhead (A4 size, 80gsm woodfree) 1000 pcs	\$90.00	w/GST \$96.30
*Envelope (DL size) 1000 pcs	\$105.00	\$112.35
*Invoice / Receipt (A4 size) 2 Ply (50 sets / Book)	\$108.00	\$115.56
*Stamps		
F06 - 26	\$26.00	\$27.82
F06 - 40	\$34.00	\$36.38
F06 - 2563	\$30.00	\$32.10
F06 - 3263	\$32.00	\$34.24

*Other sizes available

customised PROMOTIONAL items



STICKER, POSTER AND BANNER

Sticker	/sqft	w/GST	Max size
Outdoor Vinyl	\$ 6.00	\$ 6.42	1500mm
Floor Graphic	\$ 6.00	\$ 6.42	1500mm
Cut Out	\$ 6.00	\$ 6.42	1220mm
Removable	\$ 8.00	\$ 8.56	1500mm
Clear	\$ 8.00	\$ 8.56	1500mm
Perforated	\$ 8.00	\$ 8.56	1300mm
Lightbox Film	\$ 14.00	\$ 14.98	1500mm
Poster			
Yupo	\$ 7.00	\$ 7.49	1220mm
Poster Paper	\$ 7.00	\$ 7.49	1500mm
with KPL - 1 side	\$ 14.00	\$ 14.98	
- 2 sides	\$ 12.00	\$ 12.84	1220mm
Banner			
PVC Canvas	\$ 4.00	\$ 4.28	3150mm
Fabric	\$ 5.00	\$ 5.35	1500mm
Artist Canvas	\$ 12.00	\$ 12.84	1500mm

* with framing additional \$ 2.00/sqft (min \$ 80)
with installation additional \$ 3.00/sqft (min \$ 80)

Prices stated according to /Sqft*



easy roll DISPLAY system



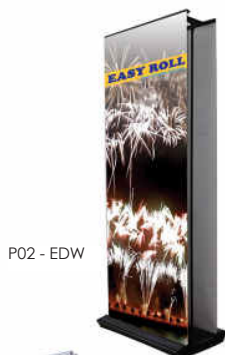
EASY ROLL • DOUBLE SIDED SERIES

Double side Heavy base with Wheels

Price	Code	Graphic Size
\$608.00	P02 - EDW	850 X 2050mm

w/GST
\$650.56

Gross Weight : 28kg



P02 - EDW

Double Sided Flat Base - Silver

Price	Code	Graphic Size
\$410.00	P02 - EDF02	850 X 2000mm

w/GST
\$438.70

Double Sided Flat Base - Black

Price	Code	Graphic Size
\$420.00	P02 - EDF32	850 X 2000mm

w/GST
\$449.40

Gross Weight : 7.1kg

P02 - EDF32



P02 - EDF02



EASY ROLL • Z SERIES

Z-Series - Silver

Price	w/GST	Code	Graphic Size
\$118.00	\$126.26	P02 - EZ01	620 X 1700mm
\$162.00	\$173.34	P02 - EZ02	850 X 2000mm
\$208.00	\$222.56	P02 - EZ03	1000 X 2000mm
\$250.00	\$267.50	P02 - EZ04	1200 X 2000mm

Z-Series - Black

Price	w/GST	Code	Graphic Size
\$128.00	\$136.96	P02 - EZ1B	620 X 1700mm
\$172.00	\$184.04	P02 - EZ2B	850 X 2000mm
\$218.00	\$233.26	P02 - EZ3B	1000 X 2000mm
\$260.00	\$278.20	P02 - EZ4B	1200 X 2000mm

Gross Weight : 3.0kg / 4.2kg / 4.5kg / 5.4kg

Additional Accessories

Price	Lighting
\$56.00	
w/GST	
\$59.92	



P02 - EZ3B



P02 - EZ02

Lighting



E-L
456

easy roll DISPLAY system



P02 - EW32

EASY ROLL • WHALE SERIES

Whale Series

Price	w/GST	Code	Graphic Size
\$182.00	\$194.74	P02 - EW31	600 X 1600mm Black
\$244.00	\$261.08	P02 - EW32	850 X 2000mm Black
\$282.00	\$301.74	P02 - EW33	1000 X 2000mm Black
\$348.00	\$372.36	P02 - EW34	1200 X 2000mm Black
\$418.00	\$447.26	P02 - EW35	1500 X 2000mm Black
\$744.00	\$796.08	P02 - EW36	2000 X 2000mm Black

Gross Weight	W	kg
	W - 31	4.5 kg
	W - 32	5 kg
	W - 33	5.5 kg
	W - 34	6.5 kg
	W - 35	7.5 kg
	W - 36	9.5 kg

Color	
	Black with Chrome Silver Side Capping



x-frame DISPLAY system

X - STAND • BANNER DISPLAY SYSTEM

- Ideal for any promotion, product launches, road shows or exhibitions.
- Fast & easy to set up.
- Low in cost, highly economical and convenient to use.



P02 - X3



P02 - X5



P02 - X9



P02 - XBX



P02 - XV1



Price	w/GST	Model No.	Description	Weight	Graphic size
\$135	\$144.45	P02 - X3	X-Stand 3	1.5kg	800mm X 2000mm
\$80	\$85.60	P02 - X5	X-Stand 5 (Black)	0.35kg	600mm X 1600mm
\$200	\$214	P02 - X9	X-Stand 9 (Giant)	2.9kg	1200mm X 2000mm
\$165	\$176.55	P02 - X2	X-Stand 2	1.0kg	600mm X 1600mm to 1800mm

outdoor BANNER DISPLAY system



P02 - OBK1



P02 - OBK2



P02 - OB - E1



P02 - OB - E2



OUTDOOR • BANNER DISPLAY SYSTEM

- Ideal for any outdoor or indoor promotion, product launches, road shows or exhibitions.
- Fast and easy to use. Set up in minutes.
- Base is a water tank and can be filled with water for additional weight and stability during outdoor use.

Price	w/GST	Model No.	Description	Weight	Graphic size
\$365	\$390.55	P02 - OBK1	King's Banner Stand - Single	3.32kg (24.7kg with water)	800mm X 2000mm (width) 1800mm X 2000mm (height)
\$420	\$449.40	P02 - OBK2	King's Banner Stand - Double	3.15kg (25.2kg with water)	700mm X 1800mm
\$265	\$283.55	P02 - OBE1	ESO Banner Stand - Single	3.1kg (23.1kg with water)	700mm X 1800mm
\$290	\$310.30	P02 - OBE2	ESO Banner Stand - Double	3.1kg (23.1kg with water)	700mm X 2000mm

other DISPLAY system



OTHER DISPLAY SYSTEM

- Airport Stand with Conceal Wheels
- Airport Stand
- Wheel of Fortune

P02 - AS \$320.00
w/GST
\$342.40

- Airport Stand with Conceal Wheels
- Graphic Size: 495mm X 1400mm
(bleed 5mm all around)
 - Weight: 18kg
 - Colour: White/MDF board
Black/Metal Base



P02 - FB1 \$560.00
w/GST
\$599.20

- Flying Banner
- Graphic Size: 940mm X 1800mm
 - Weight: 5kg
 - Colour: Black



P02 - WF1 \$950.00
w/GST
\$1016.50

- Mini Wheel of Fortune
- Graphic Size: ø 730mm



P02 - WF3 \$215.00
w/GST
\$230.05

- Mini Wheel of Fortune
- Graphic Size: ø 270mm
 - Weight: 4.4kg



P02 - MIDW \$560.00
w/GST
\$620.60

- Mid Size Wheel of Fortune
- Graphic Size: ø 520mm
 - Weight: 13.2kg

easel DISPLAY stand



EASEL STAND

- Ideal for any promotion, product launches, road shows or exhibitions.
- Timeless classic look available in wood or aluminium construction.
- Easy to use. Highly adjustable to suite posters up to A1 in size.



ESM2

P02 - ESW2 \$ 80
w/GST
\$85.60

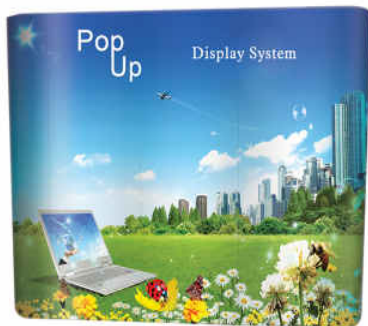
Adjustable aluminium easel, display
A3 to A1 size posters and boards



P02 - ESM2 \$ 50
w/GST
\$53.50

Adjustable aluminium easel, display
A3 to A1 size posters and boards

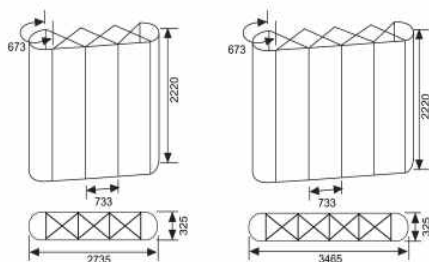
ECONOMY pop-up DISPLAY system



Additional Accessories



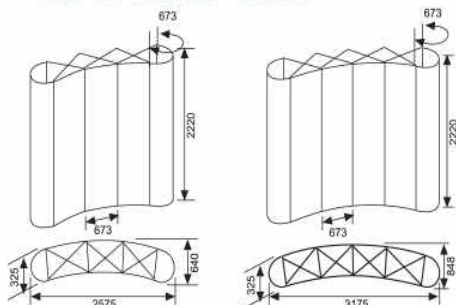
POP-UP SYSTEM • STRAIGHT



Panel dimensions(W x D): 733 x 2220mm - Front
673 x 2220mm - Side
All measurements are in mm

Price	Model No.	Description	Weight	Graphic size (L x H)
\$ 1,850 w/GST \$1,979.50	P02 - E3S	Pop-Up System- Straight Floor space required: 2735mm X 325mm X 2220mm	25kg	3545mm X 2220mm
\$ 2,200 w/GST \$2,354	P02 - E4S	Pop-Up System- Straight Floor space required: 3645mm X 325mm X 2220mm	32kg	4278mm X 2220mm

POP-UP SYSTEM • CURVE



Panel dimensions(W x D):
673 x 2220mm
All measurements are in mm

Panel dimensions(W x D):
673 x 2220mm

Price	Model No.	Description	Weight	Graphic size (L x H)
\$ 1,850 w/GST \$1,979.50	P02 - E3C	Pop-Up System- Curve Floor space required: 2575mm X 640mm X 2220mm	25kg	3365mm X 2220mm
\$ 2,200 w/GST \$2,354	P02 - E4C	Pop-Up System- Curve Floor space required: 3175mm X 848mm X 2220mm	32kg	4038mm X 2220mm

MINI pop-up DISPLAY system



Additional Accessories

Pop-Up Lighting



P-L

Round Shape Case



P-C-R

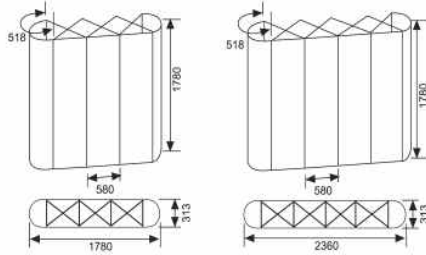
Oval Shape Case



P-C-O



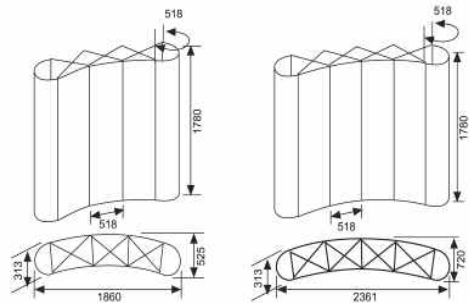
MINI POP-UP SYSTEM • STRAIGHT



Panel dimensions(W x D): 580 x 1780mm - Front
518 x 1780mm - Side
All measurements are in mm

Price	Model No.	Description	Weight	Graphic size (L x H)
\$ 1,600 w/GST \$1,712	P02 - BM3S	Mini Pop-Up System- Straight Floor space required: 1780mm X 313mm X 1780mm	24kg	2776mm X 1780mm
\$ 1,950 w/GST \$2,086.50	P02 - BM4S	Mini Pop-Up System- Straight Floor space required: 2360mm X 313mm X 1780mm	31kg	3356mm X 1780mm

MINI POP-UP SYSTEM • CURVE



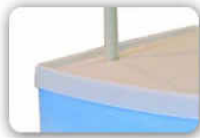
All measurements are in mm

Price	Model No.	Description	Weight	Graphic size (L x H)
\$ 1,600 w/GST \$1,712.00	P02 - BM3C	Mini Pop-Up System- Curve Floor space required: 1860mm X 525mm X 1780mm	24kg	2590mm X 1780mm
\$ 1,950 w/GST \$2,086.50	P02 - BM4C	Pop-Up System- Curve Floor space required: 2361mm X 720mm X 1780mm	31kg	3108mm X 1780mm

promotion COUNTERS



Back View



PC7



PC3



Curve



Straight

Price	w/GST	Model No.	Description	Weight	System size (W x D x H)
\$ 390	\$417.30	P02 - PC3	Curved promotion counter	11kg	840mm X 530mm X 2305mm
\$ 315	\$337.05	P02 - PC7	Curved promotion counter	10kg	770mm X 480mm X 1920mm
\$1,044.40	\$1,117.51	P02 - PC2	Curved counter		420mm X 860mm X 1210mm
\$1,050.80	\$1,124.36	P02 - PC1	Straight counter		420mm X 860mm X 1210mm

ROUND TOWER



Price
\$996.00
w/GST
\$1,065.72

Graphic Size : 675mm(w)x3pcs x 2220mm
Gross Weight : 10kg
Qty Per Carton : 1pc
Code : P02 - RT



walking Advertisements



Man Pack Flag



Man Pack LED Light Box



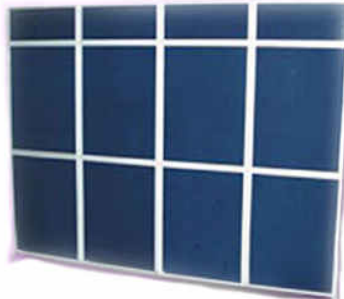
Man Pack Mobile Sign

Price	w/GST	Model no.	Description	System Size
\$280	\$299.60	P02-SMP 01	Man Pack Flag	400mm x 1500mm
\$345	\$369.15	P02-SMP-MS02	Man Pack Mobile Sign	420mm x 594mm (2 sides)
\$1,147	\$1,227.29	P02-SMP-CL02	Man Pack LED Light Box	420mm x 594mm

Folding Display System (Blue Velvet, 3 panels)



Price	w/GST	Description
\$4,173	\$4,465	Folding Panel 3 Display
\$5,136	\$5,495.50	Folding Panel 4 Display



literature A5&Card holder

LITERATURE HOLDER • SELF STANDING TYPE

- Injection molded, self standing literature holder in Portrait format for your flyers, leaflets, catalogs or any other promotional brochures.
- Literature holder feature pre-molded holes for ease in hanging them onto existing or new mounting fixtures.
- Molded grooves at the base of the holder ensure leaflets are being held in place.
- Highly economical and easy to use.



P02 - HD - A51



P02 - HD - A52



P02 - HD - A54



P02 - HND - P1



P02 - HND - P2



P02 - HND - L1



P02 - HND - L4



Price	w/GST	Model No.	Description	Graphic size
\$ 8	-\$8.56	P02 - HD - A51	Self standing literature holder	A5 size
\$10	-\$10.70	P02 - HD - A52	Self standing 2 tier literature holder	A5 size
\$18	-\$19.26	P02 - HD - A54	Self standing 4 tier literature holder	A5 size
\$ 2	-\$2.14	P02 -HND - P1	Self standing Portrait holder	Card size
\$ 5	-\$5.35	P02 - HND - P2	Self standing Portrait holder	Card size
\$ 2	-\$2.14	P02 - HND - L1	Self standing Landscape holder	Card size
\$ 6	-\$6.42	P02 - HND - L4	Self standing Landscape holder	Card size

literature A4&DL SIZE holder

LITERATURE HOLDER • SELF STANDING TYPE

- Injection molded, self standing literature holder in Portrait format for your flyers, leaflets, catalogs or any other promotional brochures.
- Literature holder feature pre-molded holes for ease in hanging them onto existing or new mounting fixtures.
- Molded grooves at the base of the holder ensure leaflets are being held in place.
- Highly economical and easy to use.



P02 - LH - DL1



P02 - LH - DL2



P02 - LH - DL4



P02 - LH - A41



P02 - LH - A42



P02 - LH - A44

Price	w/GST	Model No.	Description	Graphic size
\$5	\$5.35	P02 - LH - DL1	Self standing literature holder	DL size
\$12	\$12.84	P02 - LH - DL2	Self standing 2 tier literature holder	DL size
\$16	\$17.12	P02 - LH - DL4	Self standing 4 tier literature holder	DL size
\$12	\$12.84	P02 - LH - A41	Self standing literature holder	A4 size
\$18	\$19.26	P02 - LH - A42	Self standing 2 tier literature holder	A4 size
\$45	\$48.15	P02 - LH - A44	Self standing 4 tier literature holder	A4 size

SNAP frame



SNAP FRAMES

- Timeless classic look in brushed aluminium construction, chrome or black anodised finishing.
- Changing of poster is easy. Just "snap" open the frame, insert your new poster, and "snap" it back again!
- Each Snap Frame comes with a clear, non-glare, protective PVC sheet in front.

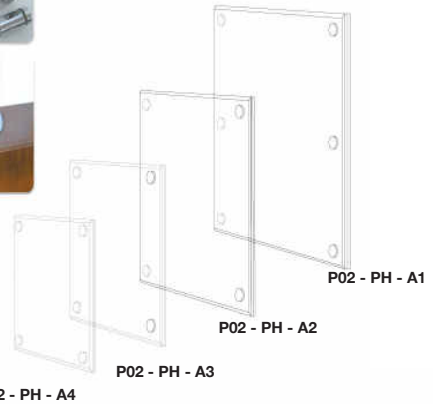


Price	w/GST	Model no.	Description	Weight	Graphic Size
\$ 40	\$42.80	P02 - SF - A4S	A4 Silver Snap frame	0.25kg	A4 (210mm X 297mm)
\$ 70	\$74.90	P02 - SF - A3S	A3 Silver Snap frame	0.5kg	A3 (420mm X 297mm)
\$ 100	\$107.00	P02 - SF - A2S	A2 Silver Snap frame	1kg	A2 (420mm X 594mm)
\$ 130	\$139.10	P02 - SF - A1S	A1 Silver Snap frame	2kg	A1 (594mm X 840mm)
\$ 40	\$42.80	P02 - SF - A4B	A4 Black Snap frame	0.25kg	A4 (210mm X 297mm)
\$ 70	\$74.90	P02 - SF - A3B	A3 Black Snap frame	0.5kg	A3 (420mm X 297mm)
\$ 100	\$107.00	P02 - SF - A2B	A2 Black Snap frame	1kg	A2 (420mm X 594mm)
\$ 130	\$139.10	P02 - SF - A1B	A1 Black Snap frame	2kg	A1 (594mm X 840mm)

perspex POSTER HOLDER with spacer

PERSPEX • POSTER HOLDER WITH SPACER

- Ideal for wall mounting of pictures & posters.
- Perspex poster holder uses the classic double clear perspex design and 4 to 6 chrome spacers to hold the poster.
- Perspex poster holder also feature a polished 4mm thick beveled front perspex and at the back a 3mm thick perspex.



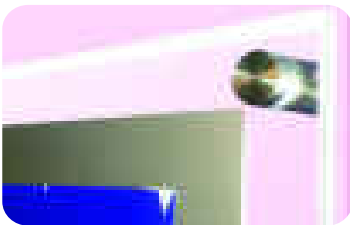
Price	w/GST	Model No.	Description	Weight	Graphic Size
\$ 80	\$85.60	P02 - PH - A4	A4 Perspex poster holder with 4 spacer	0.95kg	A4- 210mm X 297mm
\$ 110	\$117.70	P02 - PH - A3	A3 Perspex poster holder with 4 spacer	1.6kg	A3- 420mm X 297mm
\$ 145	\$155.15	P02 - PH - A2	A2 Perspex poster holder with 4 spacer	3kg	A2- 420mm X 594mm
\$ 200	\$214.00	P02 - PH - A1	A1 Perspex poster holder with 6 spacer	5.35kg	A1- 594mm X 840mm

**Price doesn't include installation.*

led Crystal Lightbox

LED • CRSTAL LIGHTBOX

- Sizes available in A3 to A1.
- Applied 3D Engraving Technology, high brightness and the light source spread evenly over the surface.
- Powered by Bright LED lighting, the LED Crystal produces low heat emission, energy efficient and long lasting.
- Diamond Polishing Technology for the edges on high quality acrylic. The surface as clear as crystal.
- Install and interchange different poster films with speed and ease.
- It comes with spacers.



Price	w/GST	Model No.	Description	Graphic size
\$500	\$535	P02 - CL - A3F	Transparent (Clear)	A3 size
\$720	\$770.40	P02 - CL - A2F	Transparent (Clear)	A2 size
\$1,140	\$1,219.80	P02 - CL - A1F	Transparent (Clear)	A1 size

International & Local COMMUNITY

We are not all business. CSR (Corporate Social Responsibility) runs in our blood, even before CSR became a hit phrase. It is always her priority to serve.

The UN Global Compact...

We are proud to join this international movement. Together with more than 5,000 corporate members worldwide, we look to advance universal principles in the areas of Human Rights, Labor, Environment and Anti-Corruption.

For Our Own...

We from ground-up commits to local initiatives which directly benefit the less-privileged, creatively too, apart from providing financial resources.

National Day Parade (NDP) 2011

In 2011, we designed and donated brochures for the National Day Parade 2011. The brochures were distributed to the public for promoting the event with the theme of Majulah which means "Onward!". It represents strength, energy and dynamism to continually strive towards building a better Singapore.

Chair for a Cause (C4C) @Chingay

As an organisation we donated and pledged 200 chairs for the recent Chingay Parade Singapore 2011. This provides opportunities for the underprivileged community to enjoy the event and to spread festive cheers, warmth and care to them with the celebration.

YOUths Care@PAYM 2011

Last October 2011, we joined the PAYM on their community service programmes as they celebrates their 40th year. We share our creativity and talents as we draw and paint the walls. Our organisation supports PAYM to inspire more youths to come forward with youth initiated community service programmes that will bring an impact to the community. For us community service is not just to make an impact in the community, but it's also a way in building our team together.

Our Other Active Contributions

- PAYM Policy Forum@West Coast GRC
- South East Skipping Challenge
- South East Walk for Rice
- Project Angelz
- North West CDC Rice That Binds, Cranes@North West Project
- Mid-Autumn Festival@Red Cross Home for Disabled
- Tampines GRC 43rd National Day Garden Party
- Chinese New Year Distribution of New Moon Products to the Needy Elderly

our Clientele

Total Design and Print Solutions

We serve the complete suite, from Conceptualization to Design, Printing / Production and Delivery of any Communications Medium, Traditional or Up-To-Date.

Advanced Media Solutions

We have also spun off Advanced Media Services, of which include Web Media / Social Media and E-Commerce Conceptualization, Design and Implementation.

Creative Communication Solutions

We engage Creative Communication Specialists in our lineup, to evaluate and advise on the appropriate media mix for execution of Integrated Marketing Communications Roadmaps.

Some Of Our Prestigious Clients:

- Prime Minister's Office
- National Population & Talent Division
- Monetary Authority of Singapore
- Ministry of Defence
- Singapore Armed Forces
- Republic of Singapore Air Force
- Central Manpower Base
- Ministry of Culture, Community and Youth
- Singapore Sports Council
- People's Association
- Community Development Councils
- Singapore Disability Sports Council
- Singapore Youth Olympic Games
- Ministry of Home Affairs
- Internal Security Department
- Singapore Police Force
- Singapore Civil Defence Force
- Central Narcotic Bureau
- National Crime Prevention Council
- Immigration & Checkpoint Authority
- Ministry of Social & Family Development
- Ministry of Finance
- Inland Revenue Authority of Singapore
- Ministry of Law
- Intellectual Property Office of Singapore
- Ministry of Trade and Industry
- Enterprise Development Centre
- Singapore Tourism Board
- Agency for Science, Technology and Research
- Sentosa Development Board
- Ministry of Transport
- Land Transport Authority
- Civil Aviation Authority of Singapore
- Maritime & Port Authority of Singapore
- Ministry of National Development
- National Parks Board
- Building and Construction Authority
- Ministry of Education
- National University of Singapore
- Nanyang Technology University
- Singapore Management University
- Singapore Institute of Management
- Institute of Technical Education
- Poly / Secondary / Primary Schools
- Ministry of Health
- National University Hospital
- Health Promotion Board
- National Healthcare Board
- Ministry of Environment and Water Resources
- National Environment Agency
- Public Utility Board
- Ministry of Manpower
- Singapore Workforce Development Agency
- Corporates
- SIA Engineering Company
- Toyota Motor Asia Pacific
- United Airline Singapore
- Singapore Technologies
- Jetstar Asia (Singapore)
- AsiaSoft Online Pte Ltd
- Unilever Asia Pte Ltd
- Mediacorp Pte Ltd
- Temasek Holdings
- PSA Corporation
- Dairy Farm
- GE Money
- OCBC
- Pico Art